

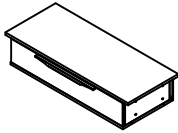
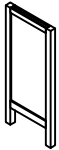
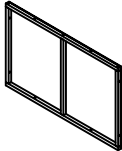
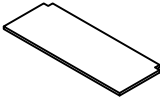
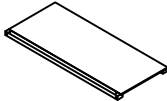
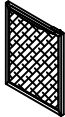
Important safety instructions:

- Please read carefully all instructions before assembly.
- For your safety and ease, assembly by two or more adults is recommended.
- Keep instructions for future use.


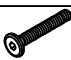



Pre-assembly:


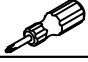

- Do not discard any content until assembly is complete to avoid accidentally discarding small parts or hardware.
- Take out all parts and hardware from box.

Parts List

Item	Description		QTY
P1	TOP PANEL		1
P2	SIDE PANEL		2
P3	BACK PANEL		1
P4	SHELF		1
P5	BASE PANEL		1
P6	DOOR PANEL		2

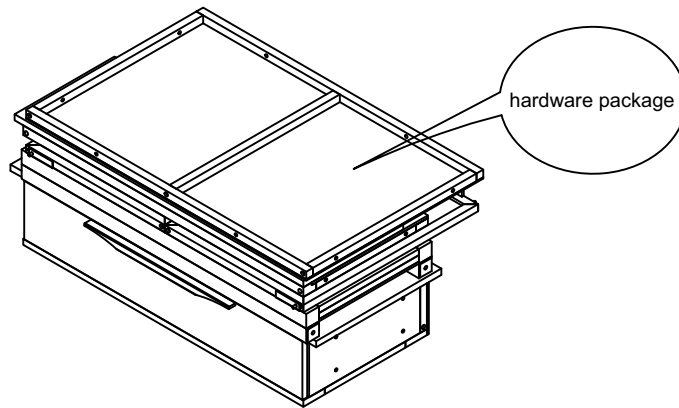
Hardware List

Item	Description		QTY
H1	ALLEN KEY 4 MM		1
H2	BOLT M6 X 40 MM		20
H3	LOCK WASHER 6 X 11 X 2		20
H4	FLAT WASHER 6 X 16 X 2		20
H5	PEN SHELF		4

Item	Description		QTY
H6	SCREW JF 6 X 1/2		4
H7	PHILIP HEAD SCREWDRIVER (NOT INCLUDE)		1
H8	ANTI TIP KIT		1

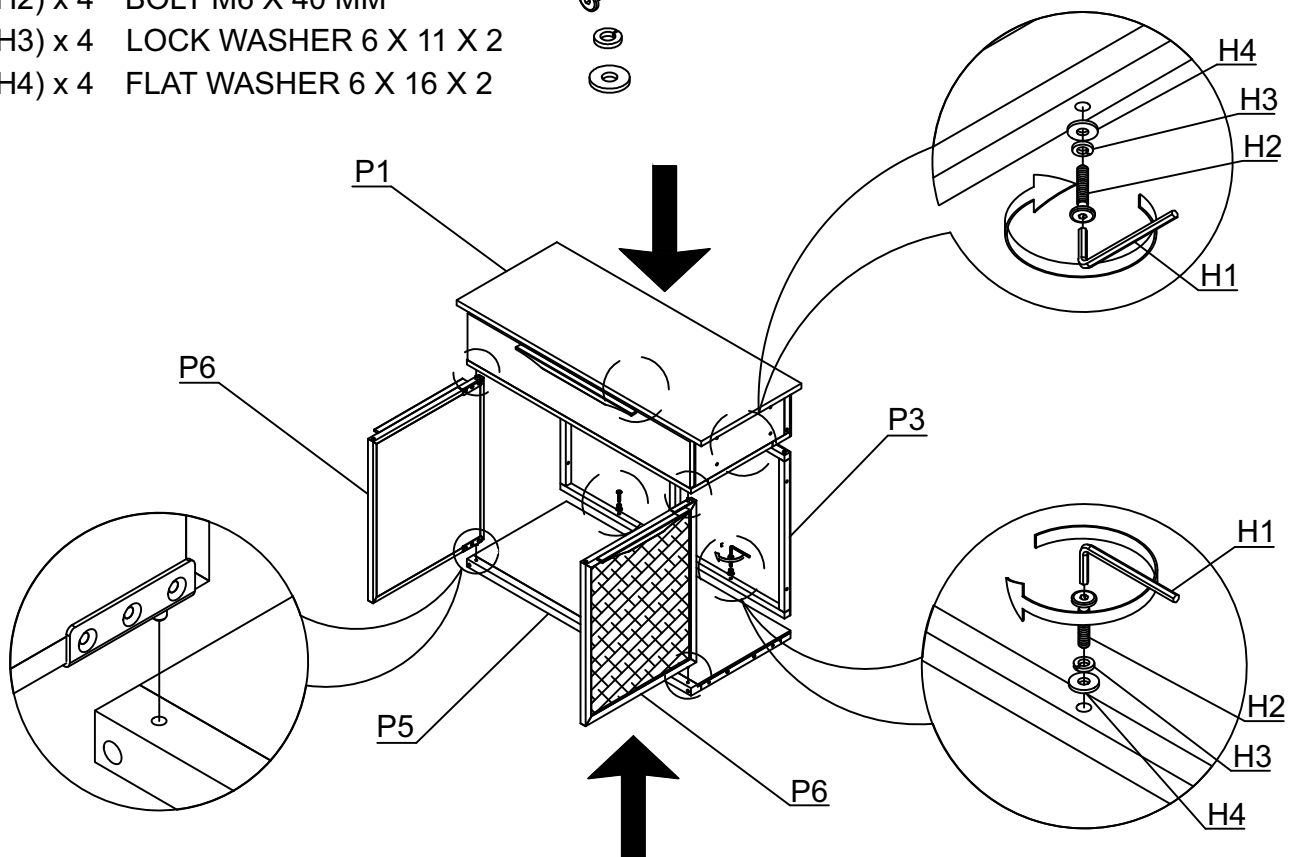
Assembly Procedures:

Step 1. Assemble the chest on a flat, soft surface such as a carpet or cloth to prevent scratching the finish.



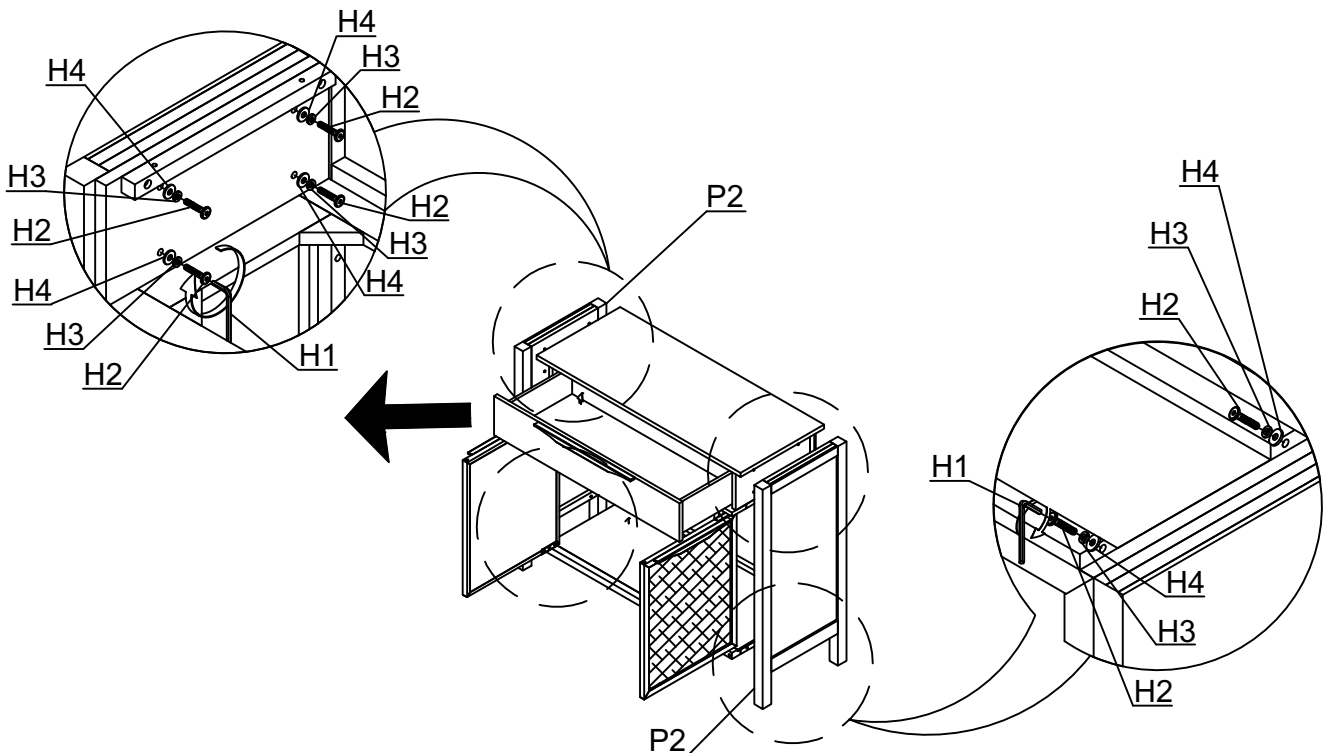
Step 2: Attach Top panel (P1), Back panel (P3), Door panel (P6), and Base panel (P5) to be main body using Allen key (H1), Lock washer (H3), Flat washers (H4) and 40 MM Bolt (H2) as shown below.

- (H1) x 1 ALLEN KEY 4 MM
- (H2) x 4 BOLT M6 X 40 MM
- (H3) x 4 LOCK WASHER 6 X 11 X 2
- (H4) x 4 FLAT WASHER 6 X 16 X 2



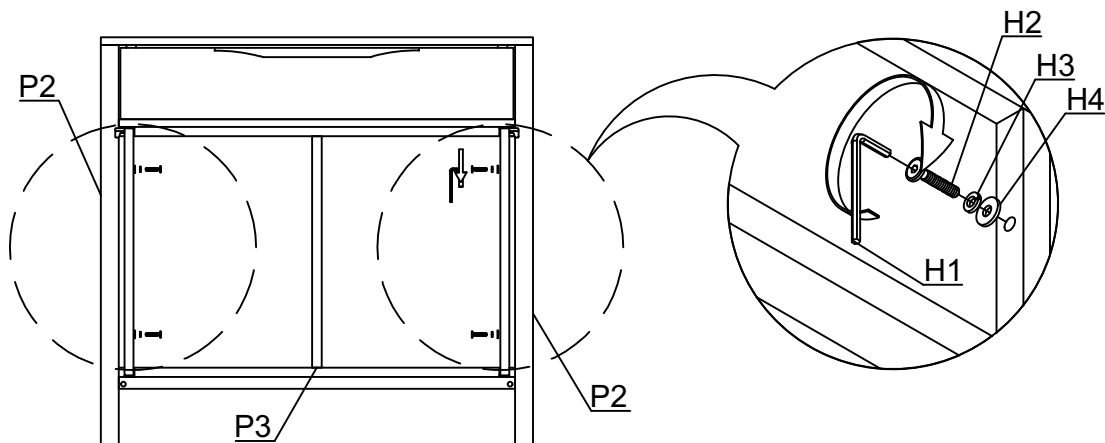
Step 3: First open the Drawer from main body, then attach Side panel (P2) to main body using Allen key (H1), Lock washer (H3), Flat washers (H4) and 40 MM Bolt (H2) as shown below.

- (H1) x 1 ALLEN KEY 4 MM
- (H2) x 12 BOLT M6 X 40 MM
- (H3) x 12 LOCK WASHER 6 X 11 X 2
- (H4) x 12 FLAT WASHER 6 X 16 X 2



Step 4: Close the Drawer to main body, then tighten Side panel (P2) to Back panel (P3) using Allen key (H1), Lock Washer (H3), Flat washers (H4), and 40 MM Bolt (H2) as shown below.

- (H1) x 1 ALLEN KEY 4 MM
- (H2) x 4 BOLT M6 X 40 MM
- (H3) x 4 LOCK WASHER 6 X 11 X 2
- (H4) x 4 FLAT WASHER 6 X 16 X 2

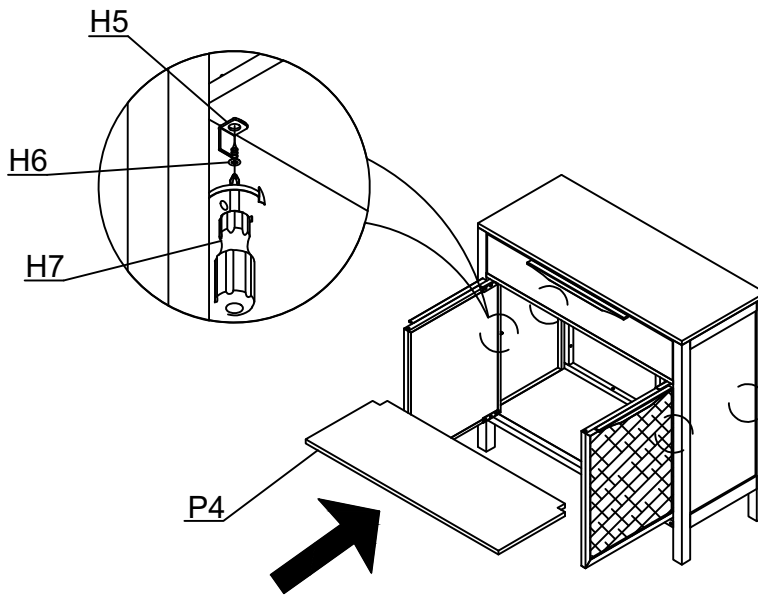


MADISON PARK® ASSEMBLY INSTRUCTIONS

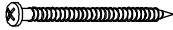




Description: E&E - PALISADES ACCENT CHEST

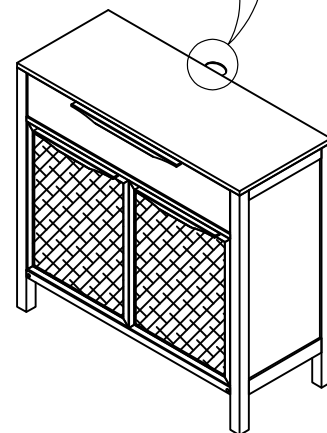
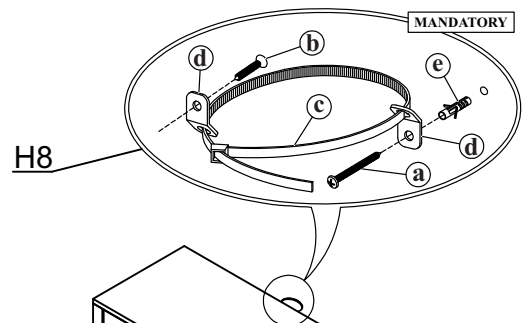
Step 5: Attach Shelf (P4) to main body using Screwdriver (H7), Pen Shelf (H5), and Screw JF 6 x 1/2 (H6) as shown below.

- (H5) x 4 PEN SHELF
- (H6) x 4 SCREW JF 6 X 1/2
- (H7) x 1 PHILIP HEAD SCREWDRIVER (NOT INCLUDE)

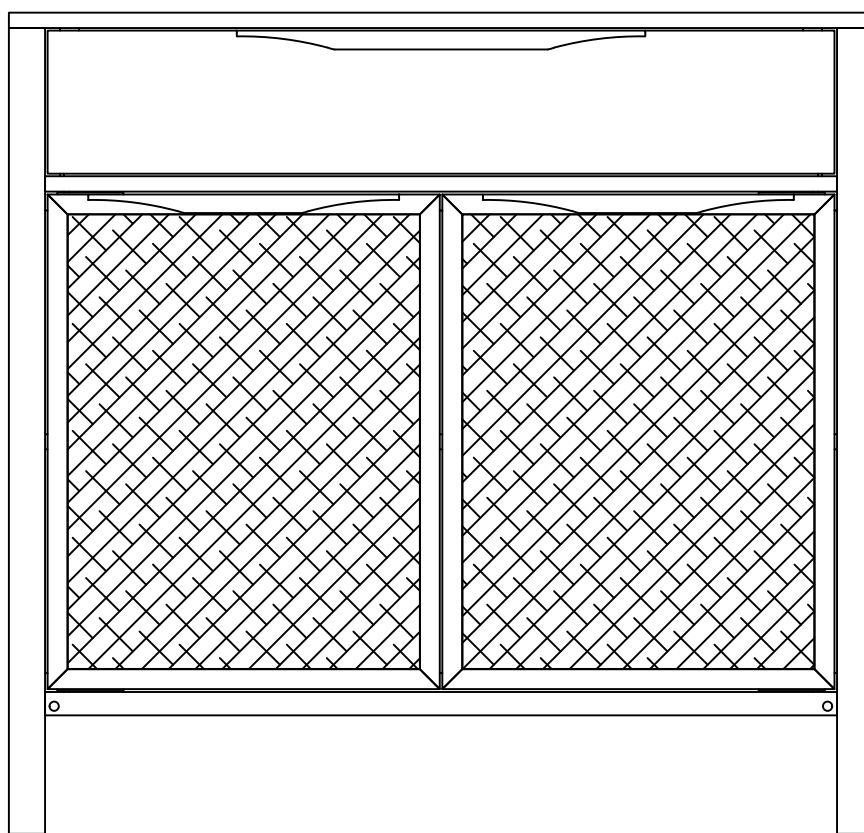


Step 6: For safety, attach Anti tip kit (H8) as shown below.

- (H8) x 1 ANTI TIP KIT
 - a. Screw $\varnothing 8 \times 2''$ x 1 
 - b. Screw $\varnothing 8 \times 5/8''$ x 1 
 - c. Restrain Strap x 1 
 - d. Metal Tabs x 2 
 - e. Plastic Wall Anchor x 1 



Step 7: Assembly is complete.



ADDITIONAL NOTE ABOUT SAFETY: BOLTS MAY LOOSEN DURING NORMAL EVERYDAY USE. THEY SHOULD BE PERIODICALLY INSPECTED AND RE-TIGHTENED TO PREVENT DAMAGE OR INJURY. ALWAYS CHECK TO ENSURE THAT ALL HARDWARE IS KEPT TIGHTENED.

Disclaimer: When properly assembled, this item is safe for intended use. Seller is not liable for any damages resulting from item being improperly assembled after purchase

Thank you for your purchase